

Name: _____

121 Total Hours

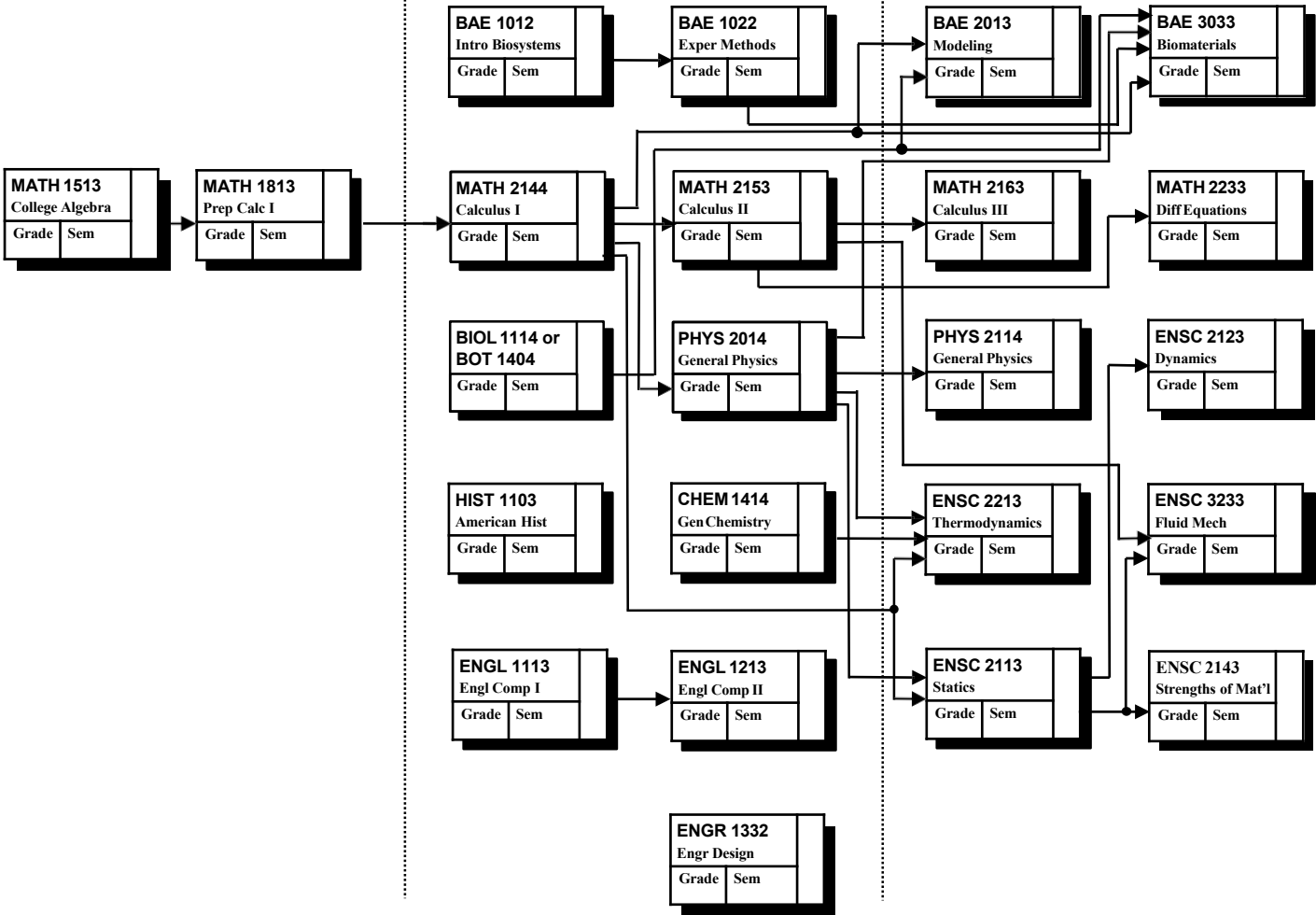
2020-2021

Advisor: _____

Preparatory Courses

Year 1

Year 2



Horizontal arrows indicate prerequisites.

Graduation Requirements for the Biosystems Engineering Degree

Please refer to the OSU Catalog corresponding to your matriculation date for detailed requirements. The following is an overview of the minimum curricular requirements necessary to be completed for graduation.

- At least 6 hours designated “H”, 3 hours designated “S”, and 3 hours designated “H”, “S”, “A” or “N” (A total of 12 hours). Of these, 3 hours need to meet the International Dimension “I” and 3 hours need to meet the Diversity Component “D”.
- Minimum Technical GPA of 2.00. Technical GPA is calculated from all courses counting in the curriculum with a prefix belonging to the degree program, or substitution for these courses.
- An overall GPA of 2.00 or better at OSU.
- A grade of “C” or better required in the following courses: BAE 2013, BAE 3013, BAE 3023, BAE 3033, BAE 3213, ENSC 2113, ENSC 2143, ENSC 2213, ENSC 2613, ENSC 3233.
- Completion of the Fundamentals of Engineering Examination.

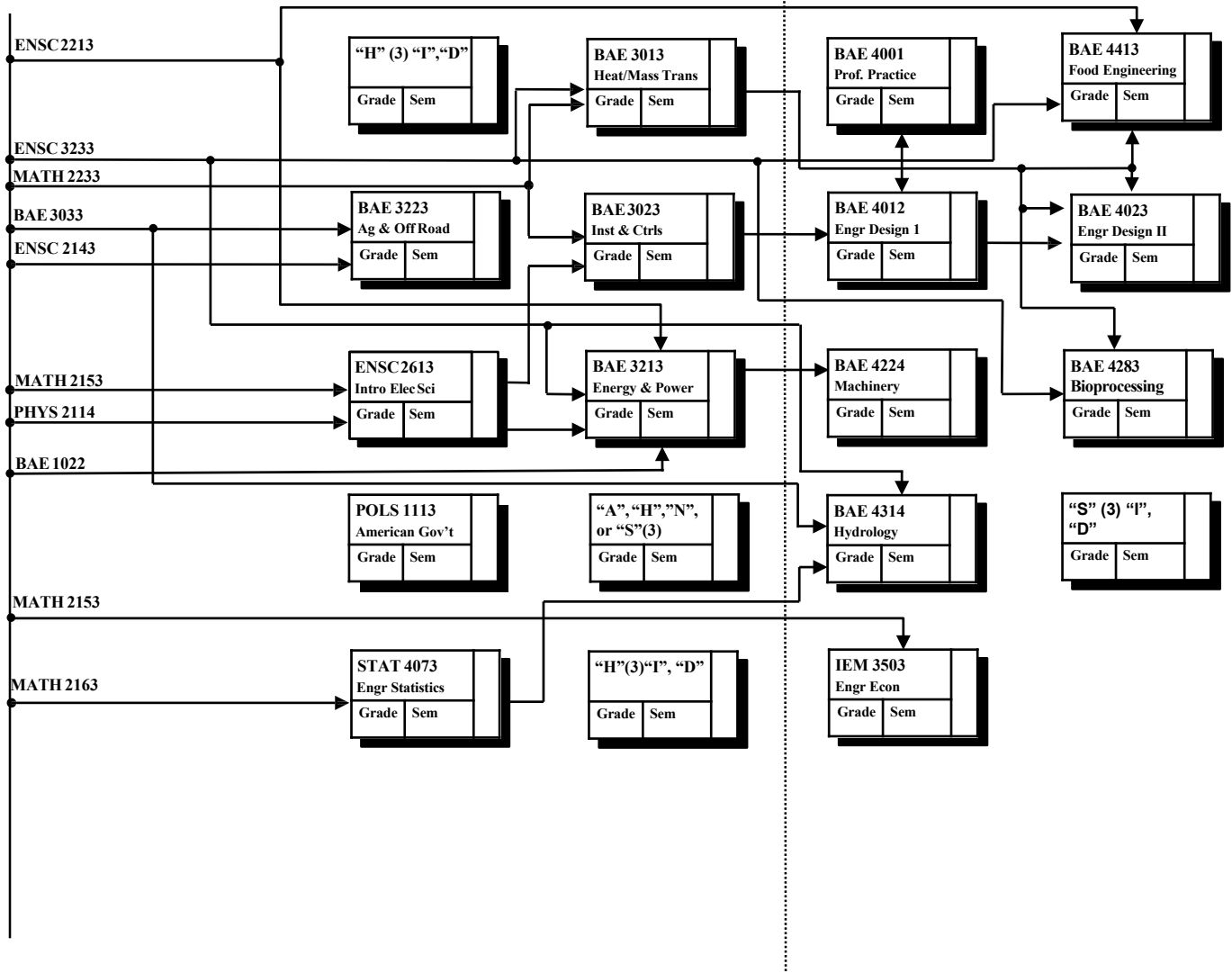
REQUIRED: 40 HOURS OF UPPER DIVISION COURSE WORK

NOTE: This flow chart is for planning purposes only. Students matriculating in AY2020 must meet the degree requirements as stated on the official degree requirement sheet dated “Academic Year 2020-2021”

Name: _____

Advisor: _____

Prerequisites



MASTER'S PROGRAMS

Criteria for admission to the Graduate College to pursue the Master of Science include:

1. receive a B.S. degree from an accredited institution.
2. academic performance in undergraduate work at a level that indicates a high probability of success in a graduate program requiring a 3.0/4.0 minimum grade point average.

For further information, contact the School or the Office of the Dean of Engineering.

A flexible study plan is designed to meet each student's individual goals.